

Pro-Kits Ltd Product & Services List

Mounting Kits

Locking Devices

Extension Stems

Pedestals

Lockouts

Spool Kits

Linkages

Rotary to Linear Conversions

Worm Gears

Handwheels

Bevel Gears

Solenoids

Spring Return Levers

Switchboxes

Reducing Inserts

Epoxy Painting

Shotblasting

Galvanising

Powder Coating



Pro-Gear



Quarter Turn Gearboxes



Contact us at

Pro-Kits Ltd

Tel: +44 (0)1773 860629 • Fax: +44 (0)1773 860672



The UK's largest independent mounting kit manufacturer, we supply everything for the valve industry except valves and actuators

The Better Alternative

Introduction

Pro-Gear is an established company specialising in the supply of quarter turn gearboxes to the valve industry. Our gearbox range is backed by over 30 years knowledge in design, manufacture and supply.

Applications



The Pro-Gear range of gearboxes is suitable for all quarterturn applications such as dampers, ball, butterfly and plug valves, all used in a variety of industries like Petro Chemical, Hvac, Water Works and General Industry.

Specifications

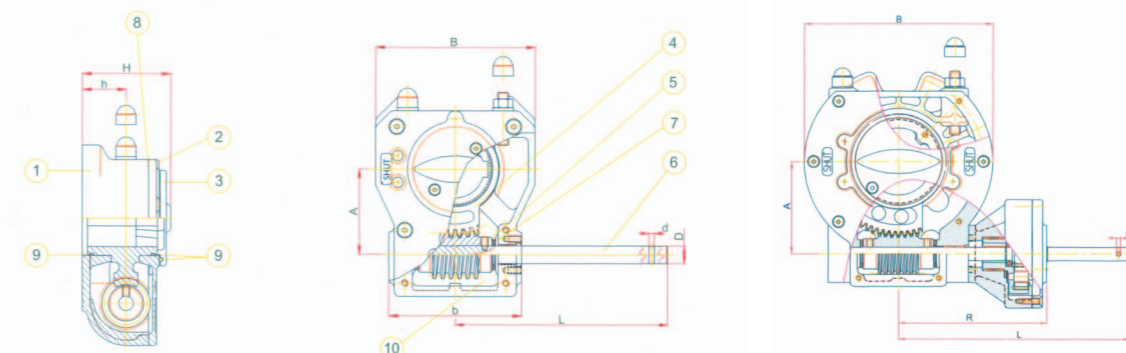
Due to the high quality of the materials used and the exacting standards applied in the manufacture of the Pro-Gear gearboxes, you can be sure you are complimenting your package with a reliable yet cost effective product. There are 8 units in the range starting with an output torque of 200Nm going up to 12000Nm.

Please see the table below for individual specifications,

Type	Ratio	Torque Nm		M.A. ±10%	Weight Kg. (Lb.)
		Output	Input		
PG200	40:1	200	16.8	11.9	2
PG400	44:1	400	31.25	12.8	3.87
PG800	40:1	800	60	13.3	7.68
PG2000	48:1	2000	131	15.3	16.3
PG4000	72:1	4000	185	21.6	31.5
PG4000/PR3	216:1	6500	95	68.4	44.2
PG8000	72:1	8000	255	31.4	51
PG8000/PR3	216:1	12000	125	96.0	63.7

Dimensions

Gearbox Type	A	b	B	d	D	h	H	L	R	Valve connection Acc ISO 5211			
PG200	mm	43,5	70	84	4	12	28,5	64	118	-	50(F05)	70(F07)	
	Inch	1,71	2,76	3,31	0,16	0,47	1,12	2,52	4,65	-	1,97	2,76	
PG400	mm	52,5	91	112	4	12	34	74,75	175	-	70(F07)	102(F10)	
	Inch	2,07	3,58	4,41	0,16	0,47	1,34	2,94	6,89	-	2,76	4,02	
PG800	mm	68,75	110	135	5	15	42,5	90,5	225	-	102(F10)	125(F12)	
	Inch	2,71	4,33	5,31	0,20	0,59	1,67	3,56	8,86	-	4,02	4,92	
PG2000	mm	95,5	150	180	6	20	50	100	240	-	125(F12)	140(F14)	165(F16)
	Inch	3,80	5,91	7,09	0,24	0,79	1,97	3,94	9,45	-	4,92	5,51	6,50
PG4000	mm	137,5	210	282	6	20	54,5	128	300	-	165(F16)	254(F25)	
	Inch	5,41	8,27	11,10	0,24	0,79	2,15	5,04	11,81	-	6,50	10,00	
PG8000	mm	180	272	366	6	25	63,5	135	350	-	254(F25)	298(F30)	
	Inch	7,09	10,71	14,41	0,24	0,98	2,50	5,31	13,78	-	10,00	11,73	
PG4000/PR3	mm	137,5	210	282	6	20	54,5	128	347	222	165(F16)	254(F25)	
	Inch	5,41	8,27	11,10	0,24	0,79	2,15	5,04	13,66	8,74	6,50	10,00	
PG8000/PR3	mm	180	272	366	6	20	63,5	135	378	282	254(F25)	298(F30)	
	Inch	7,09	10,71	14,41	0,24	0,79	2,50	5,31	14,88	11,10	10,00	11,73	



Parts / Materials List

Part-No	Description	Material	Specs / Standard
Fasteners		Stainless steel	
10	Grease	Lithium/calcium grease	
9	O-rings	Nitrile	NBR-70° shore
8	Gasket	Nitrile/silicone	NBR-70° shore
7	Axial needle bearing		
6	Shaft	Stainless steel	AISI 303
5	Worm	Carbon steel	C45-K
4	Quadrant	Ductile-iron	GGG40/ASTM A356
3	Pos. indicator	Cast-iron	GG25/ASTM A48
2	Coverplate	Cast-iron	GG25/ASTM A48
1	Body	Cast-iron	GG25/ASTM A48

Features

- -25°C to +110 °C temperature
- IP68 Sealing
- Stainless steel input shaft
- Stainless steel fasteners
- Standardised according to DIN/ISO5211
- 8 models up to 12000Nm
- Axial needle bearings
- Sealed position indicator
- Powder coated finish
- Insert bush system for flexibility and reduced lead times
- Locking device (optional)
- Memory stops (optional)
- Fitment of switchbox (optional)
- DRV can be fitted
- Input flanges for motorisation (optional)

Handwheels

All our gearboxes come with handwheels and have been sized in relation to the output torque.